

Glass Shower Hinge | S5000 series



Unbeatable versatility and inherent beauty for today's modern homes

DORMA S5000 shower hinges make a significant contribution to the overall attractiveness of shower doors. Designed to meet demanding specifications, it offers the ideal solution to the widest possible spectrum of requirements.

The S5000 shower hinges are designed for doors up to 900mm wide and a maximum of 55kg in door weight. It is suitable for glass thicknesses of 10 and 12mm. There is also a self-closing feature from approximately 20 degrees, which helps to ensure that the door is kept tightly closed against the door jamb.

The robust S5000 shower hinges generate an unsurpassed standard of durability and reliability.

Designed for frameless glass shower doors of:

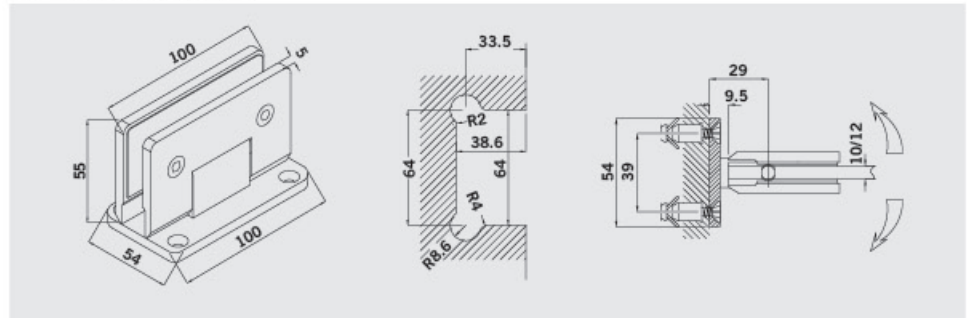
- 900mm wide
- 2400mm high
- 55kg door weight
- 10 or 12mm thick tempered glass

The S5000 shower hinges are available in polished chrome finish as standard.



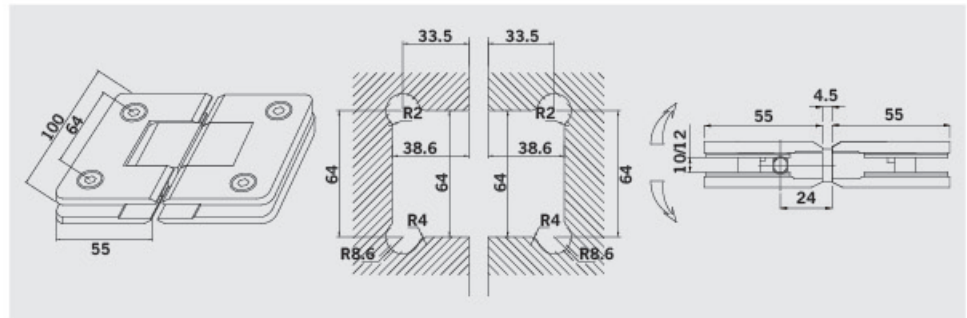
S5000-160: Glass to Wall fixing

Article number: 1416053



S5000-164: Glass to Glass fixing

Article number: 1416054



DORMA Far East Pte. Ltd.

Singapore
31 Gul Lane
Singapore 629425
Tel : +65 6268 7633
Fax : +65 6265 7995
+65 6459 0137

www.dorma.com.sg
Co. Reg. No. 1981-03135-W

DORMA Korea Inc.
DORMA Far East Sdn. Bhd.
(Malaysia/Brunei)
PT DORMA Far East (Indonesia)
DORMA Philippines Corp.
Taiwan
Thailand/Cambodia/
Laos/Myanmar
Vietnam
DORMA Hueppe Asia (Malaysia)

+82 31 776 0051
+603 7665 1683
+62 21 2930 3762
+63 2 893 4078
+886 2 2709 6611
+66 2 236 4994/5/6
+84 8 62 888 748
+60 7 5985 730

