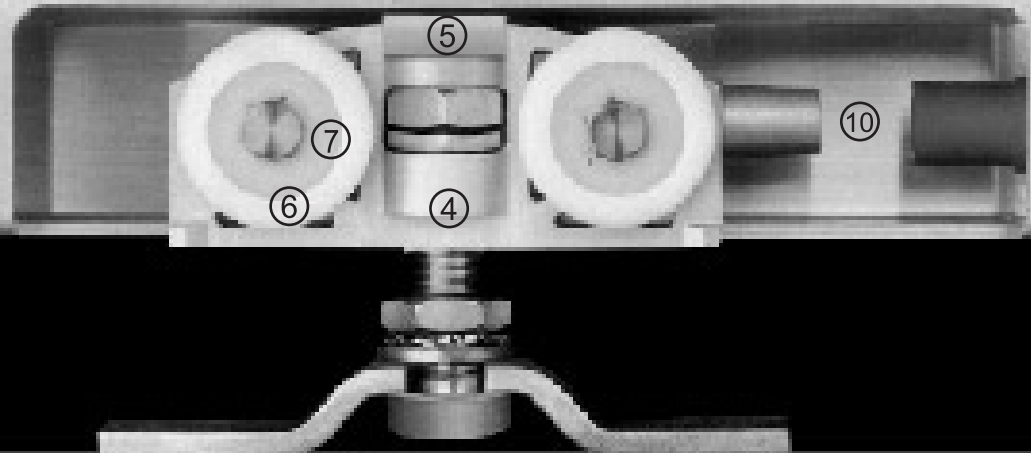




Sliding Door Gear

DORMA

SL

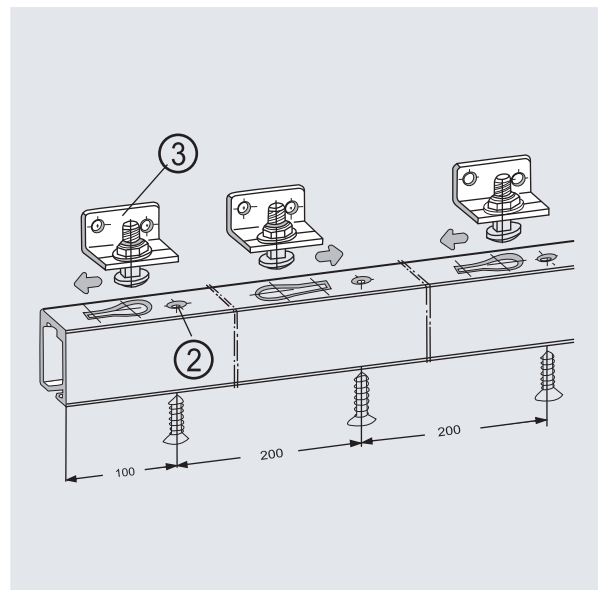
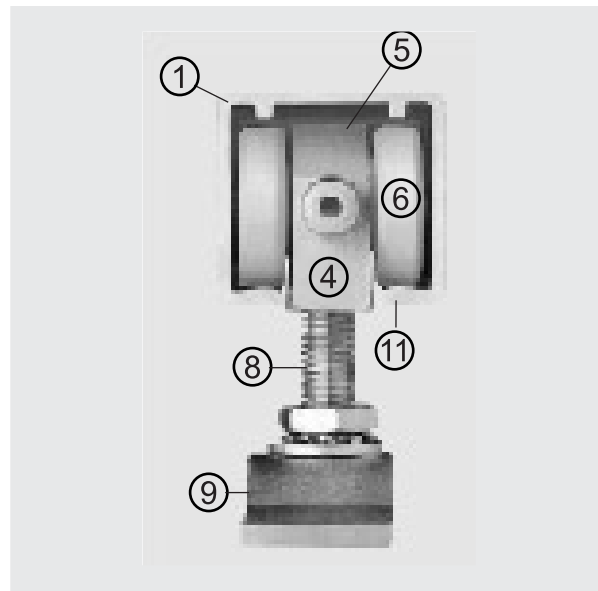


DORMA SL 8,12 fingertip control plus...

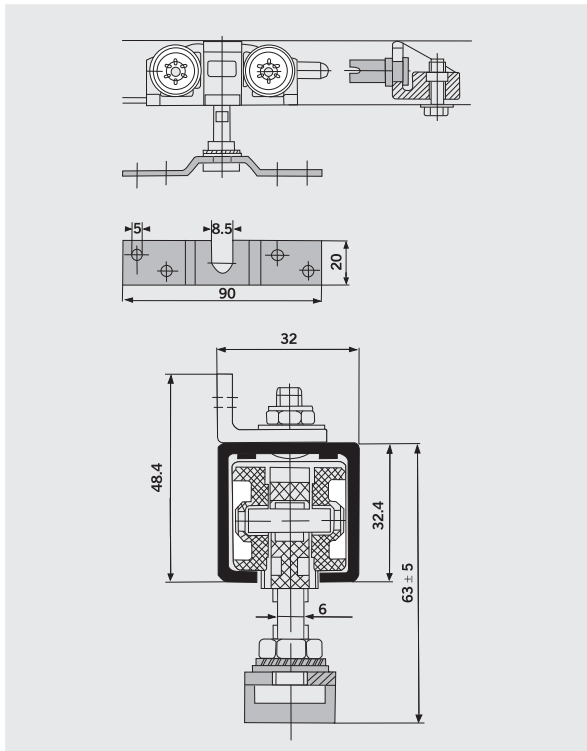
- designing made easy
- ordering and stocking made simple
- uncomplicated installation
- superb action
- trouble-free operation

Carrying capacities up to 120 kg
door leaf widths up to 1800 mm.

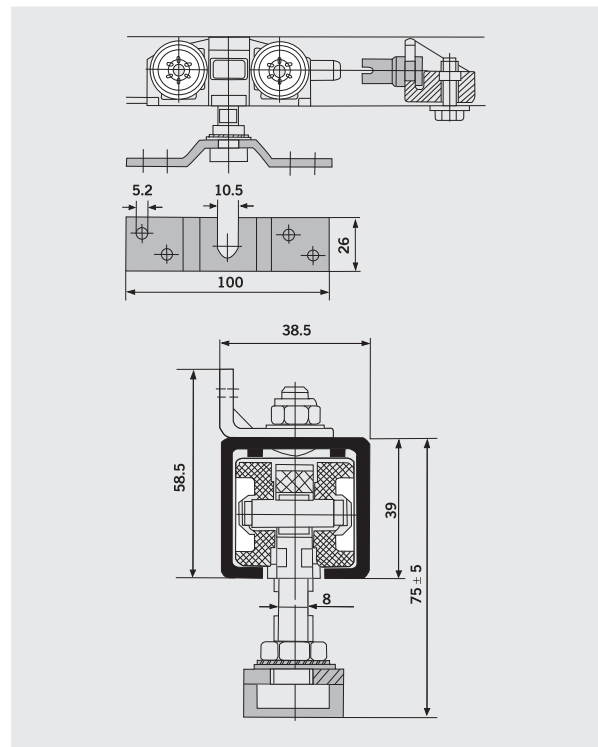
- ① **Sturdy extruded aluminium closed track** giving reliable and smooth operation whilst protecting the carriers from dust and dirt.
Two-in-one profile suitable for side or top fixing.
- ② **Direct top fixing** through predrilled holes with uniform spacing.
- ③ **Side fixing** by brackets that are secured into special slotted holes. Opposing slot patterns ensure safe, non-slip fixing.
- ④ **Rugged carrier** made from heavy-duty glass-reinforced plastic.
- ⑤ **Extended carrier head** to prevent rollers from hitting the top of the track if the door is jerked upwards.
- ⑥ **Large diameter nylon rollers** for smooth, quiet running.
- ⑦ **Independently connected rollers with needle bearings** allowing individual rotation to ensure optimum operation and protection of the running surface from excess wear.
- ⑧ **Self-aligning suspension** ensures that the door load is equally distributed, helping to compensate if the track is slightly out of alignment.
- ⑨ **Detachable fixing plate** for quick and easy installation. Height and offset adjustments give great flexibility.
- ⑩ **Door holder mechanism** for both open and closed positions is standard equipment. If not required the rollers can simply be reversed. The holding position(s) are adjustable.
- ⑪ **Convex track bearing surface** prevents clogging through dirt build-up and is in effect self-cleaning.



SL 8 Carrying Capacity 80 kg



SL 12 Carrying Capacity 120 kg



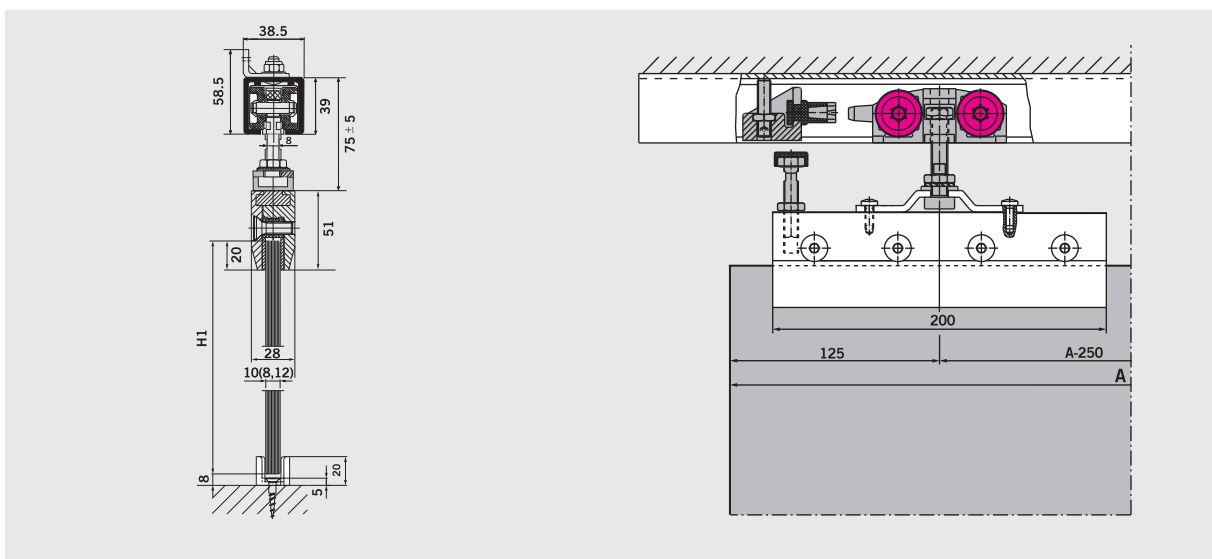
SL 8

Size	1	2	3	4
Door Width mm	710-900	910-1200	1210-1500	1510-1800
Track Length mm	1600	2000	2400	3000
Angle bracket for wall fixing per piece	6	6	8	8
Article No.	SL 8.2	SL 8.3	SL 8.4	SL 8.5

SL 12

Size	1	2	3	4
Door Width mm	710-900	910-1200	1210-1500	1510-1800
Track Length mm	1600	2000	2400	3000
Angle bracket for wall fixing per piece	6	6	8	8
Article No.	SL 12.2	SL 12.3	SL 12.4	SL 12.5

SL 12 Glass Door



Accessories for SL 8,12

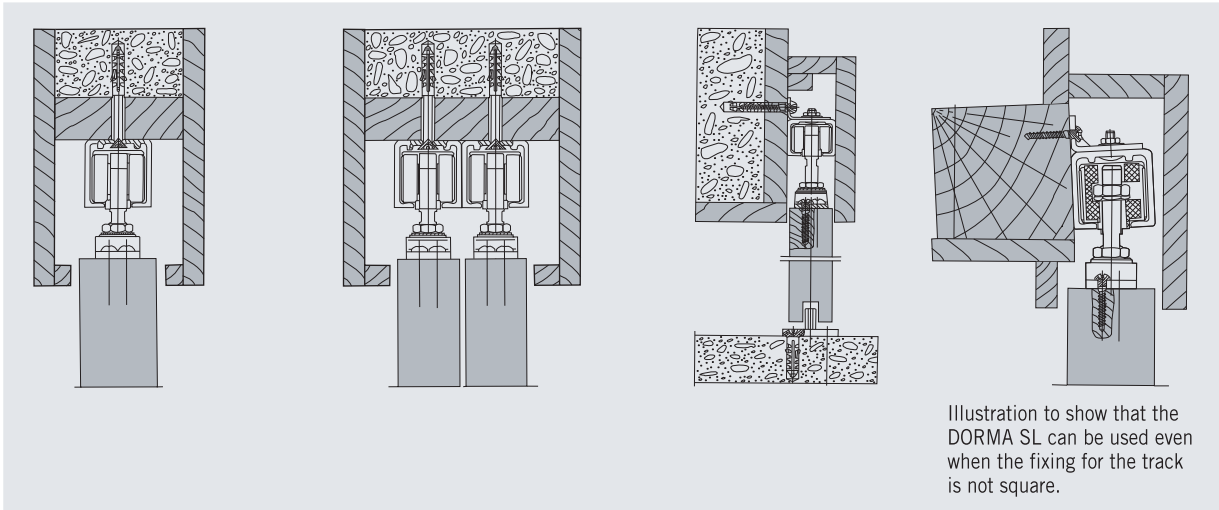
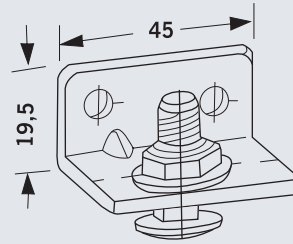
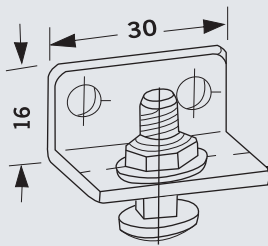
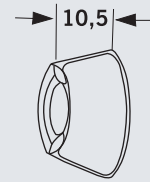


Illustration to show that the DORMA SL can be used even when the fixing for the track is not square.

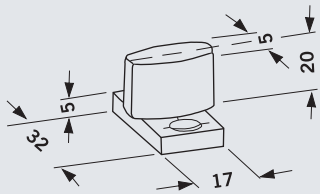
Typical installations SL8,12



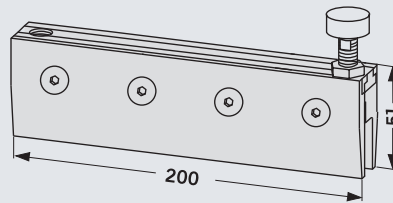
Side fixing brackets
SL8 SL12



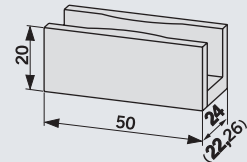
Side buffer for fixing at half door height



Floor guide



Glass clamping patch



Floor guide for glass door

Subject to change without notice

DORMA Door Controls Pte Ltd

No.2 Jalan Terusan
Jurong
Singapore 619285
Tel:(65) 62687633
Fax:(65) 62657995
www.dorma.com.sg

DORMA Door Controls Limited

Room 701, Technology Plaza,
651 King's Road, North Point,
Hong Kong
Tel: (852) 2503 4632
Fax: (852) 2887 5370

DORMA GmbH + Co. KG

Breckerfelder Straße 42-48
D-58256 Ennepetal
Germany
Tel. +49(0)23 33/793-0
Fax. +49(0)23 33/79 34 95
www.dorma.com