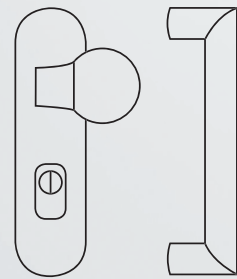
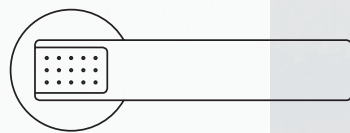




STAINLESS STEEL LEVER HANDLES

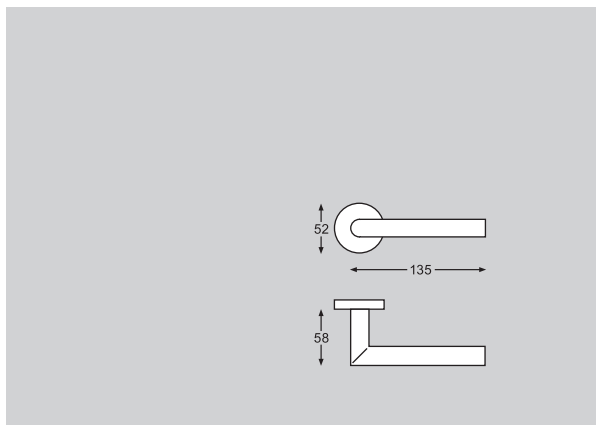


Other key features of DORMA's stainless steel lever handles:

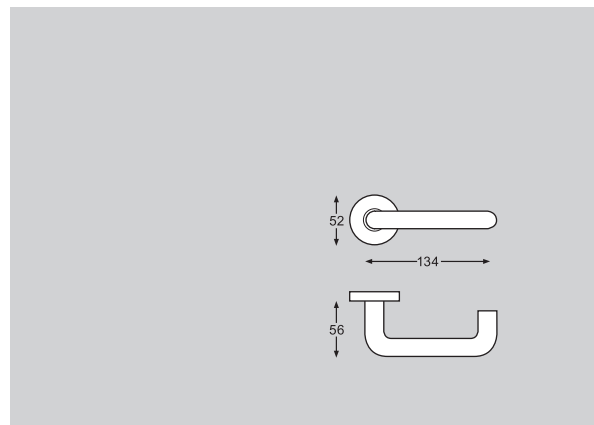
- Quick and easy assembly.
- Suitable for use on most types of mortise locks.
- Suitable for use on all types of fire doors.
- A special 4mm thick rose is available for use with the non-spring-loaded escutcheon.
- The standard rose, which is 8 mm thick, is a must for the spring-cassette system.

SH SERIES

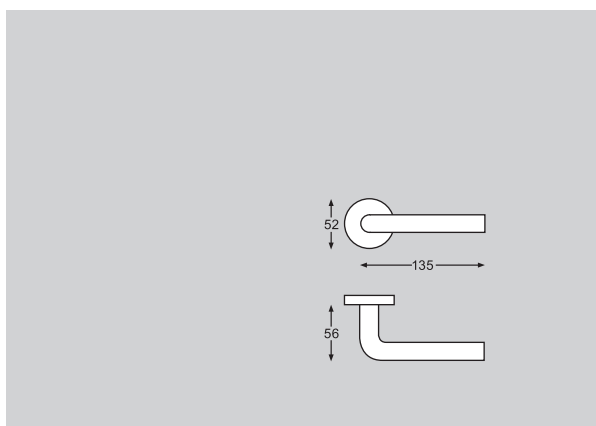
SH 123



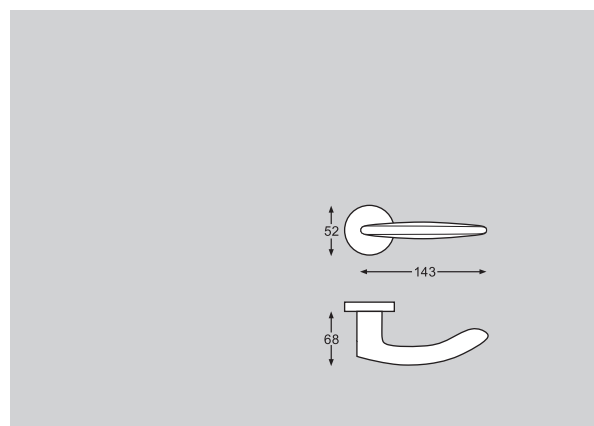
SH 126



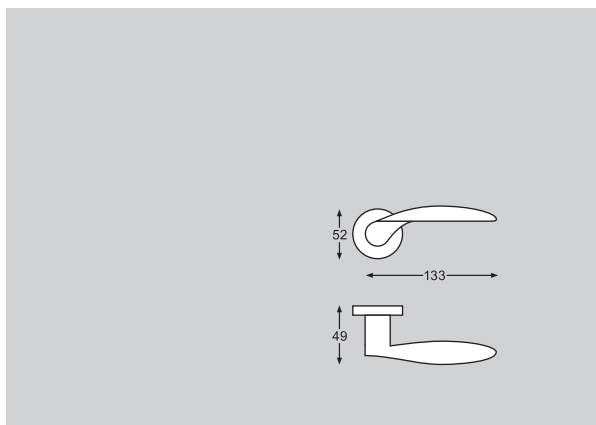
SH 128



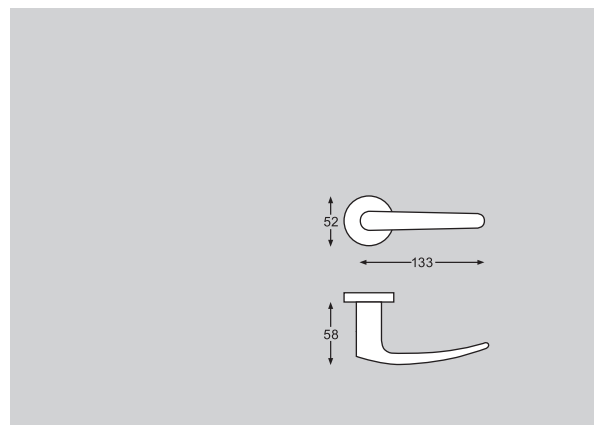
SH 810



SH 811

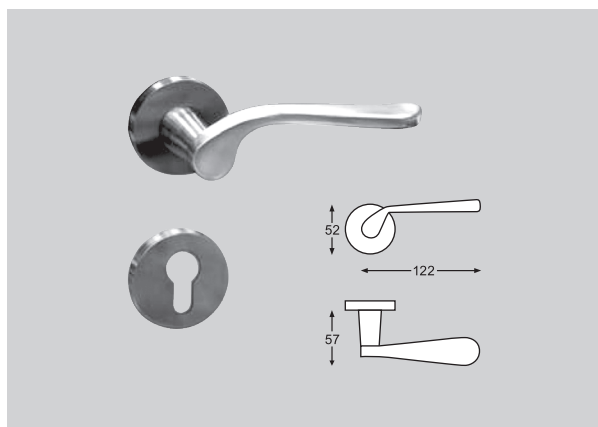


SH 812

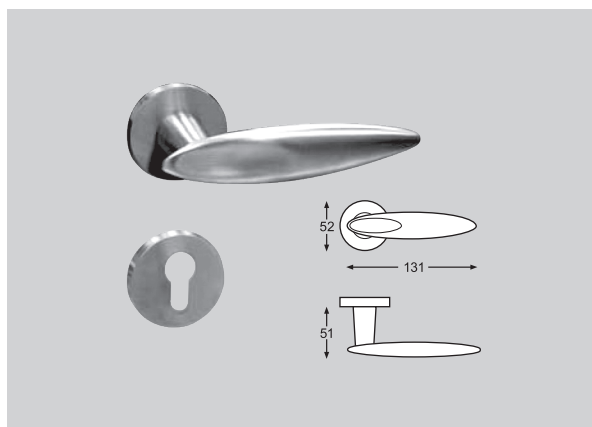


SH SERIES

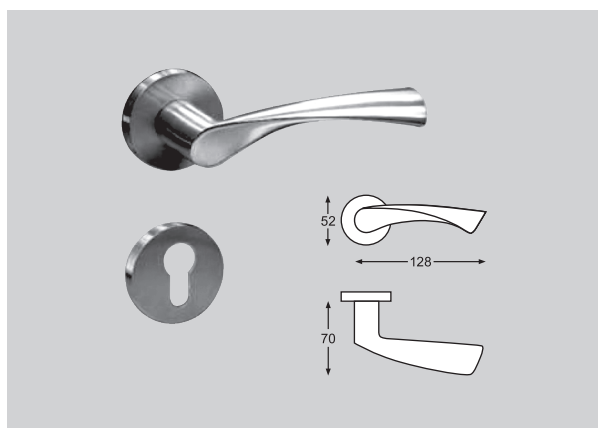
SH 813



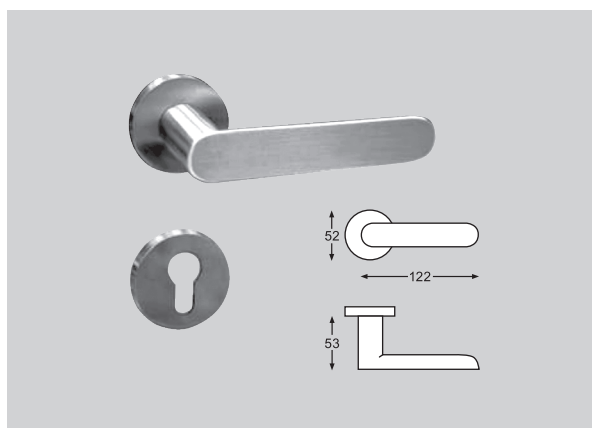
SH 814



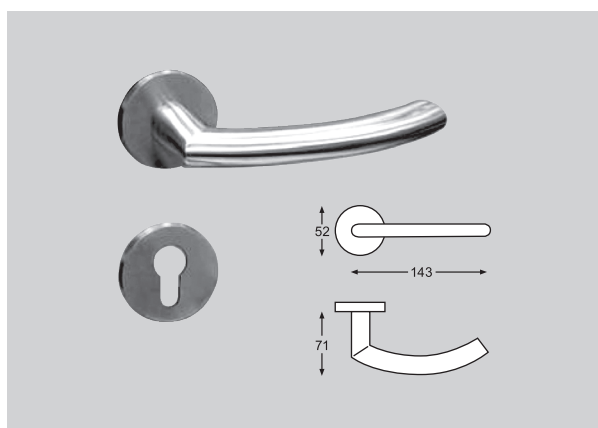
SH 815



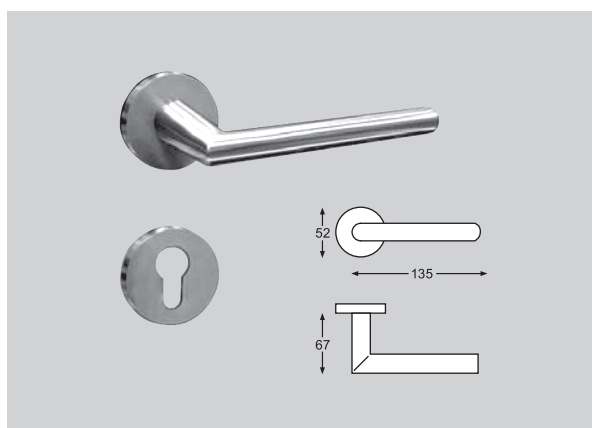
SH 816



SH 817

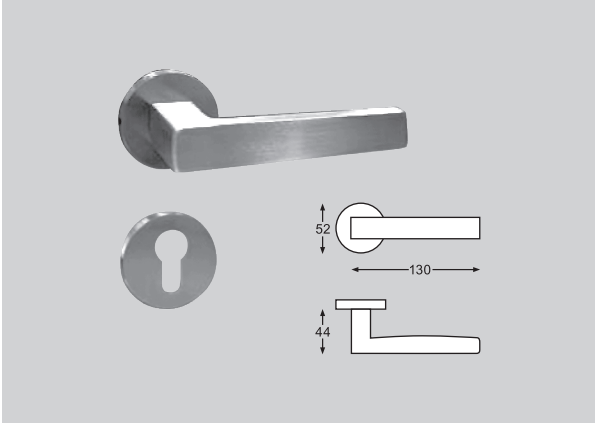


SH 818

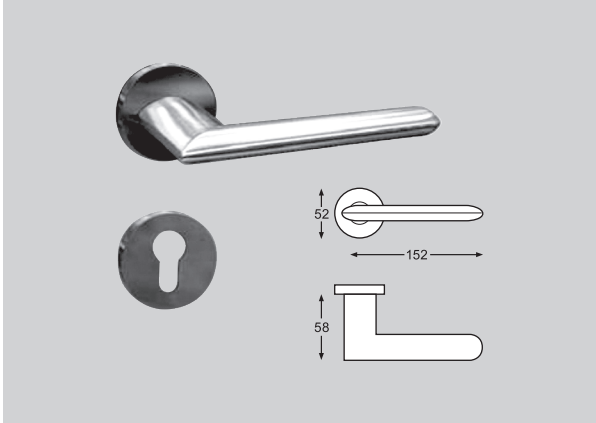


SH SERIES

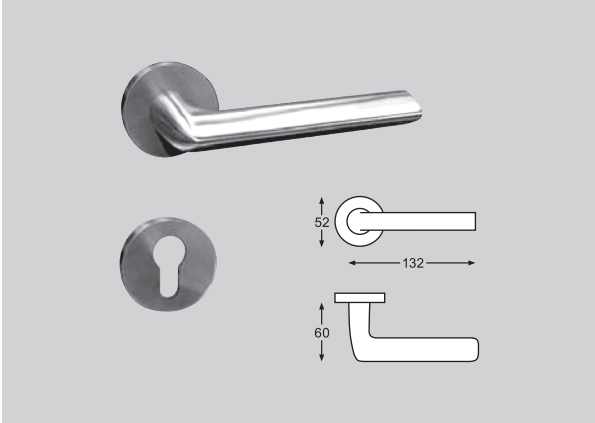
SH 821



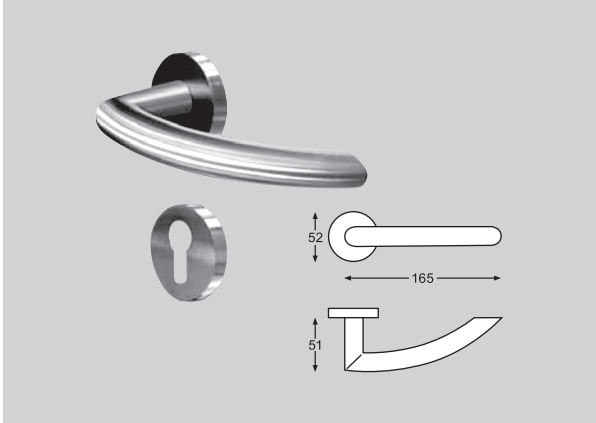
SH 822



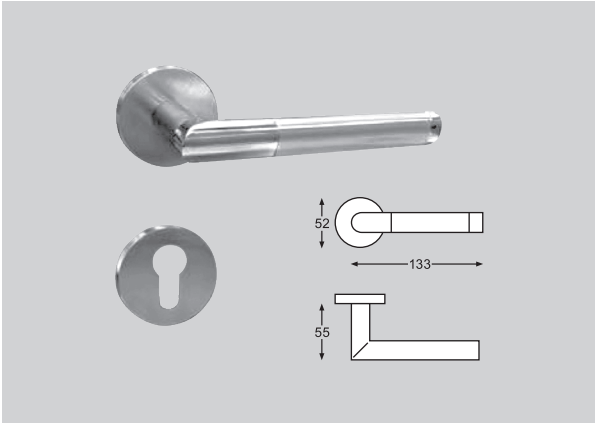
SH 823



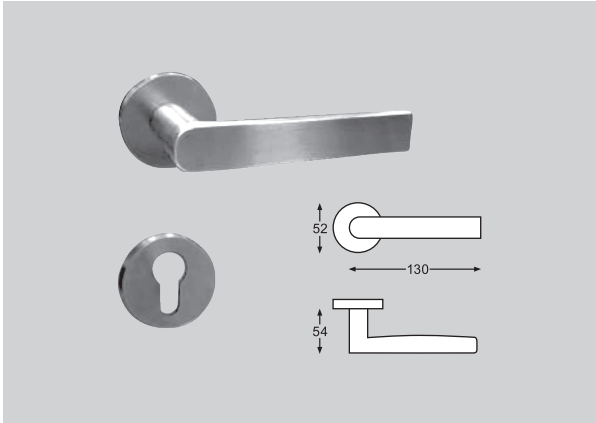
SH 824



SH 825

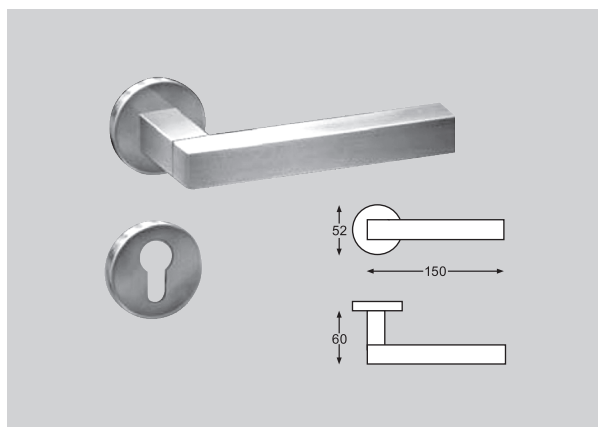


SH 828

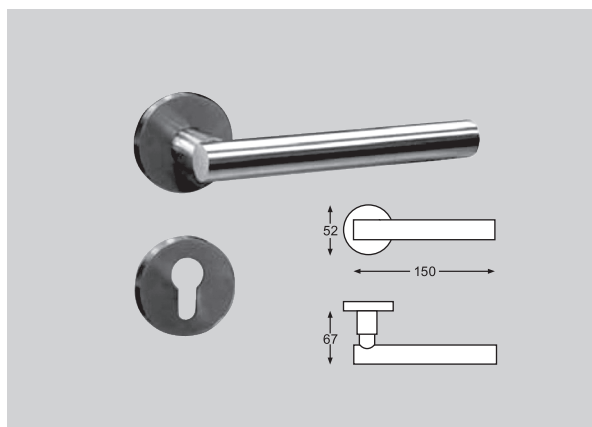


SH SERIES

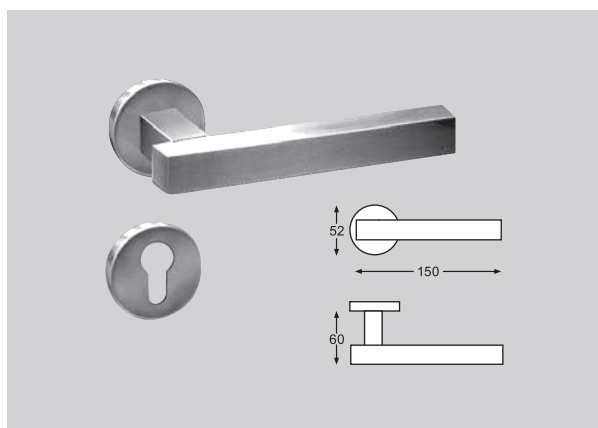
SH 850



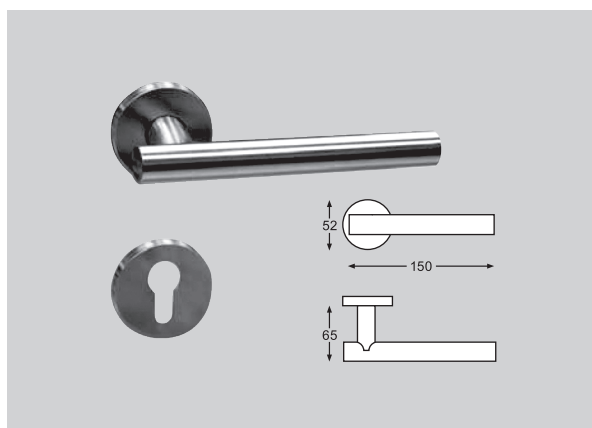
SH 851



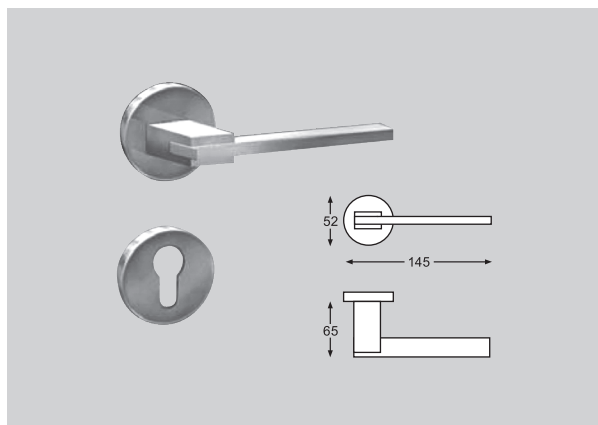
SH 852



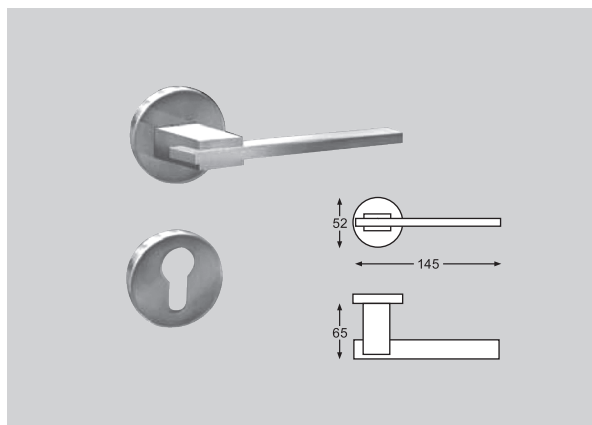
SH 853



SH 854

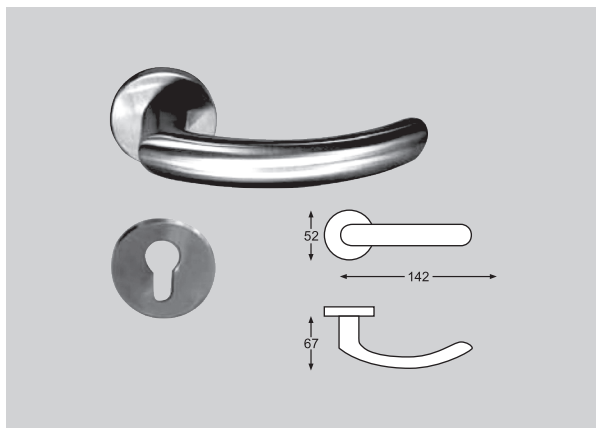


SH 855

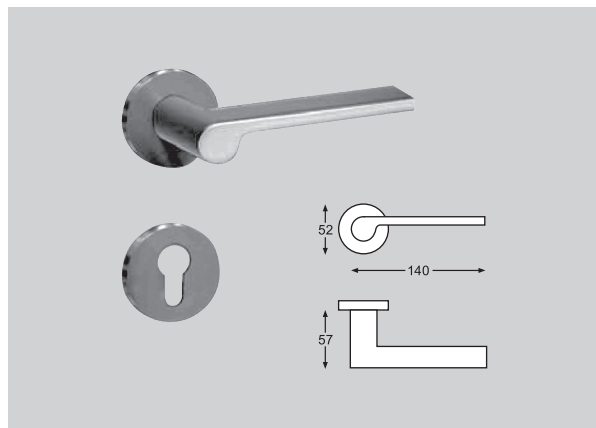


SH SERIES

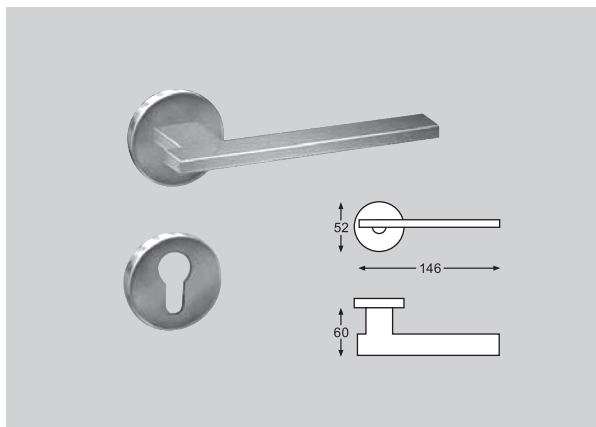
SH 856



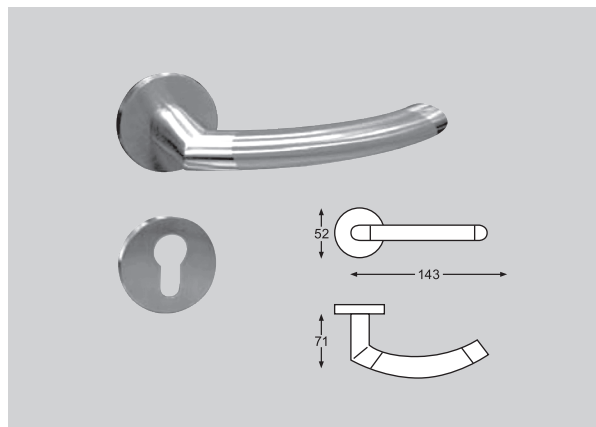
SH 857



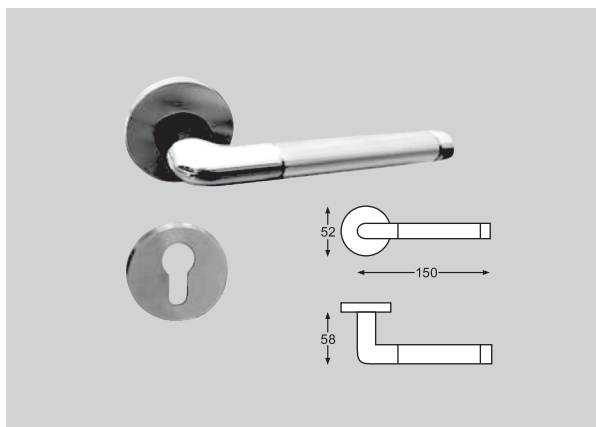
SH 860



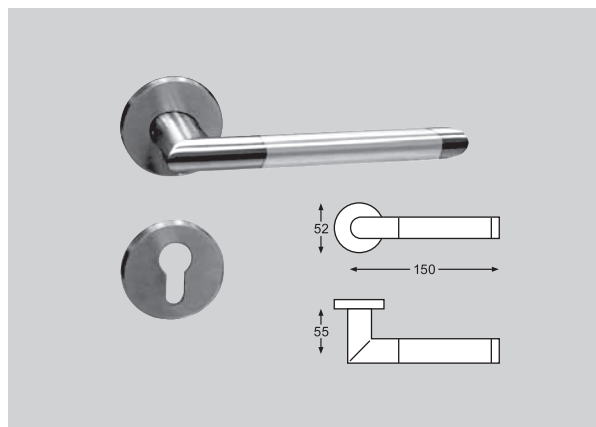
SH 861



SH 867

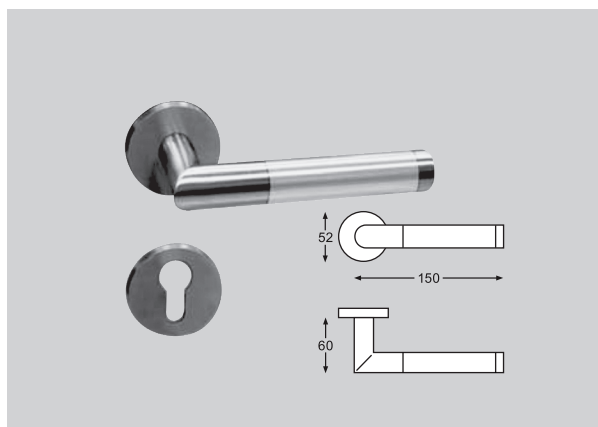


SH 871

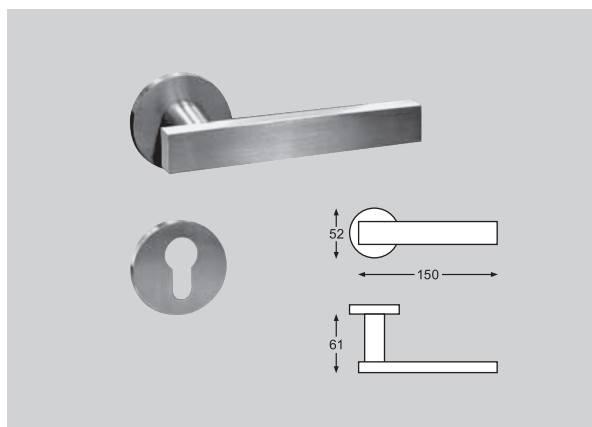


SH SERIES

SH 872



SH 887

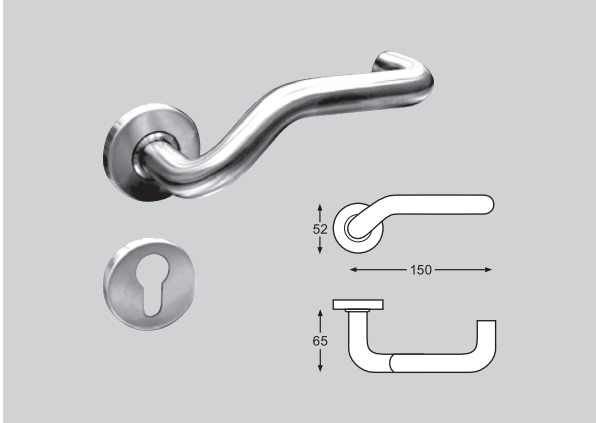


TH SERIES

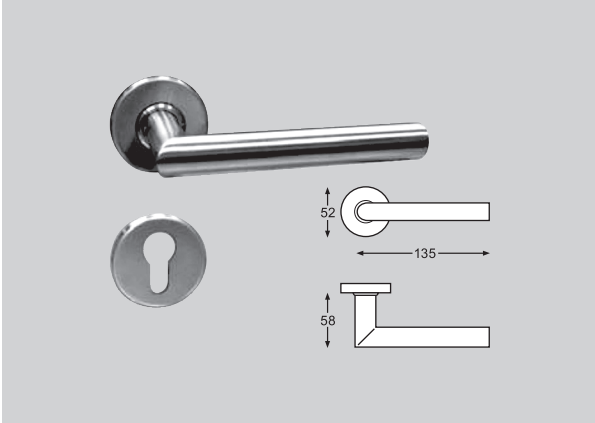
TH 121



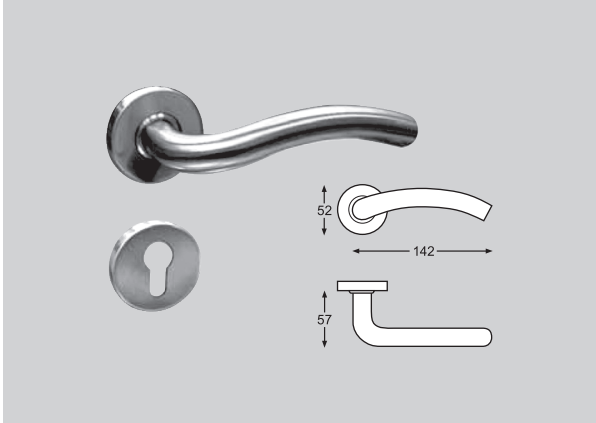
TH 122



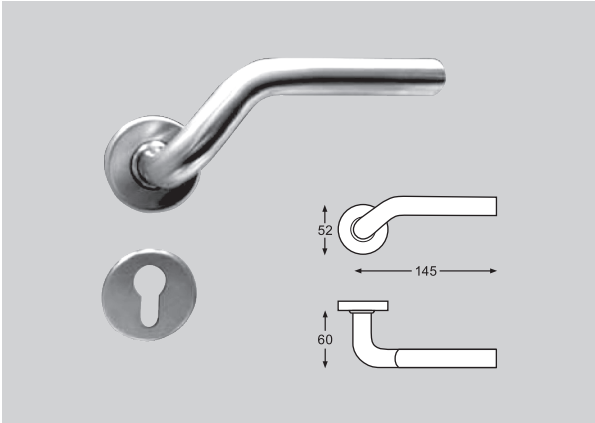
TH 123



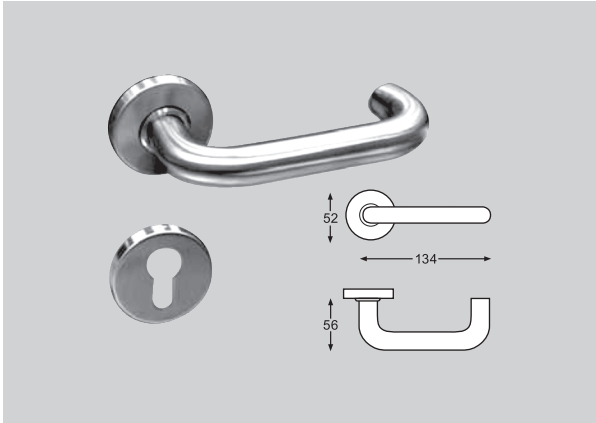
TH 124



TH 125

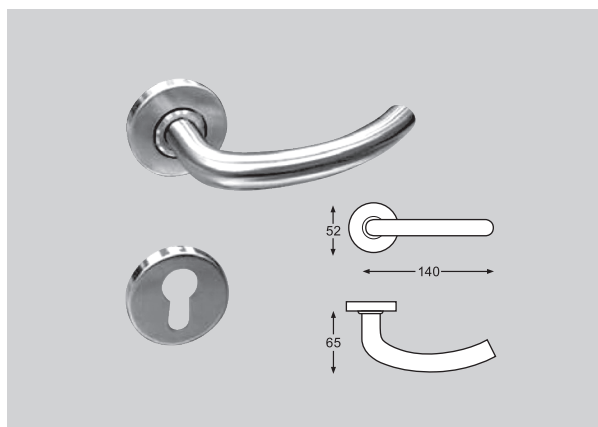


TH 126

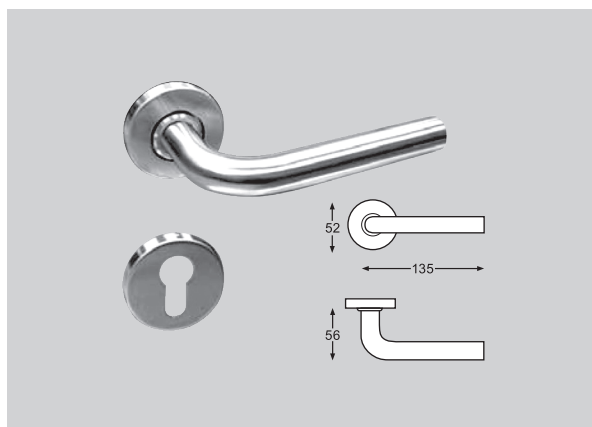


TH SERIES

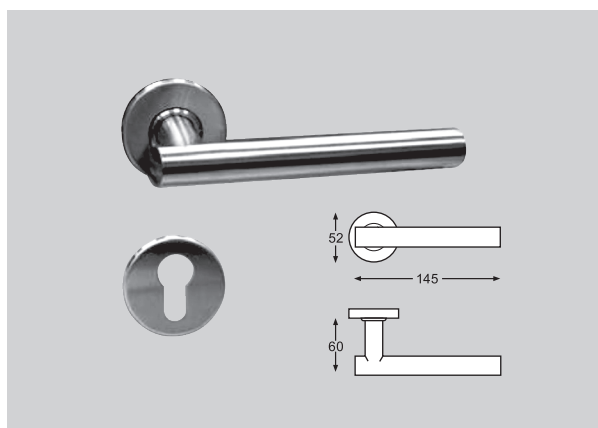
TH 127



TH 128



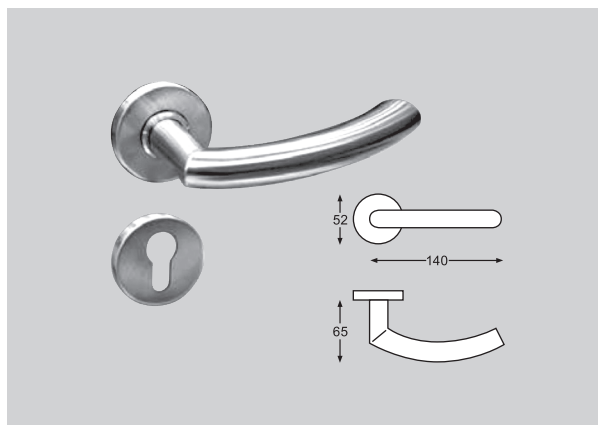
TH 130



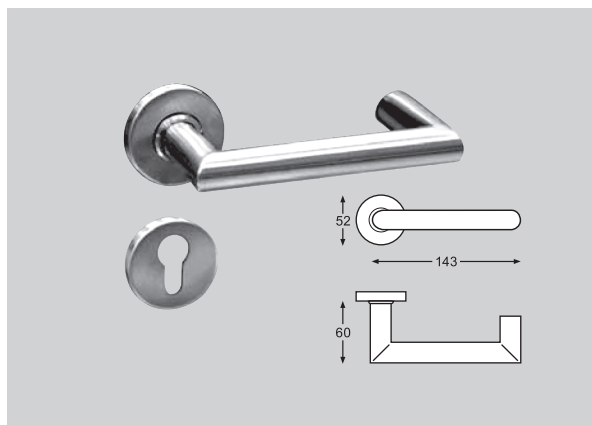
TH 131



TH 132

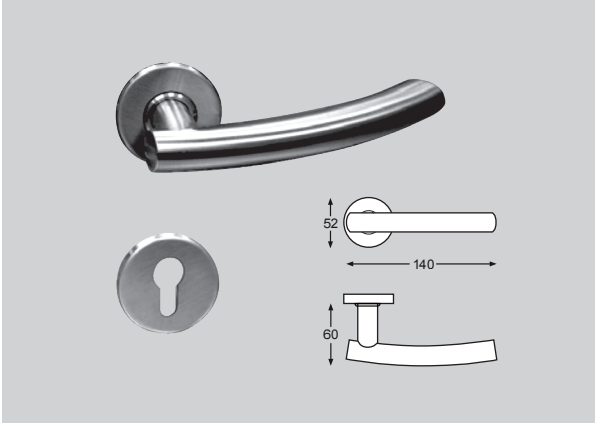


TH 133

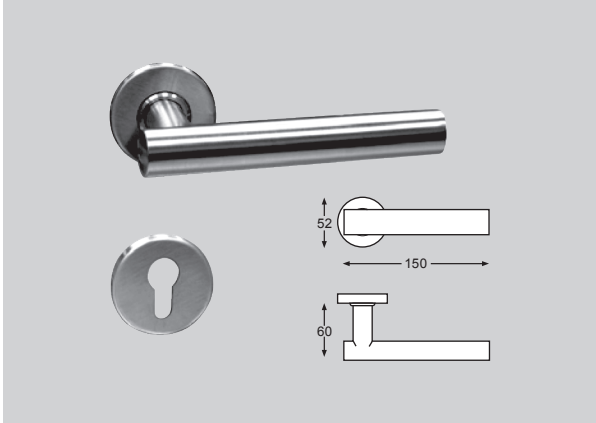


TH SERIES

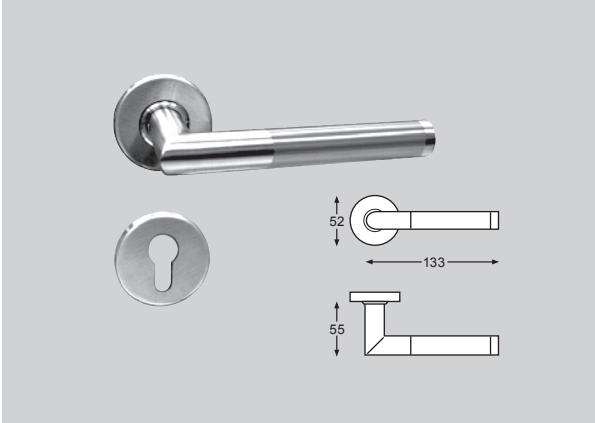
TH 135



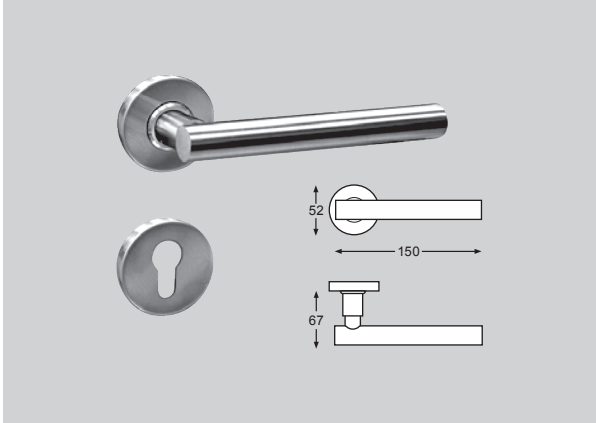
TH 137



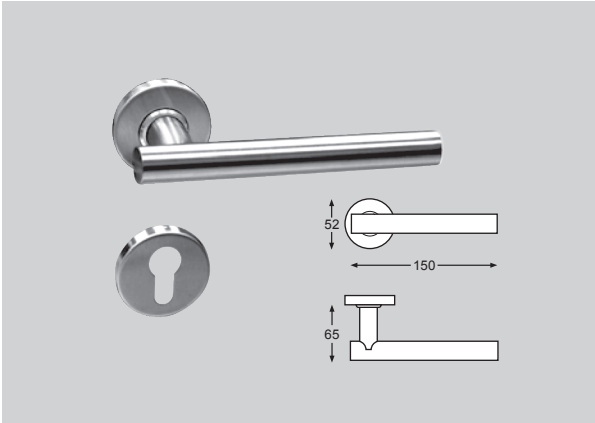
TH 825



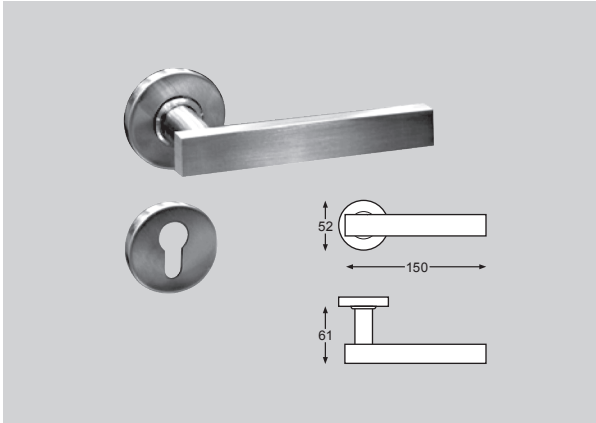
TH 851



TH 853



TH 887





DORMA Far East Pte. Ltd
Singapore
31 Gul Lane
Singapore 629425
Tel : +65 6268 7633
Fax : +65 6265 7995
+65 6459 0137
www.dorma.com.sg
Co. Reg. No. 1981-03135-W

Philippines
Tel : +63 2 893 4078
Fax : +63 2 845 1108

Taiwan
Tel : +886 2 2709 6611
Fax : +886 2 2709 9911

Thailand
Tel : +66 2 236 4994/5/6
Fax : +66 2 236 4997

Vietnam
Tel : +84 8 62 888 748
Fax : +84 8 62 888 701

DORMA Far East Sdn. Bhd. (Malaysia)
Tel : +603 7665 1683
Fax : +603 7665 1680

DORMA Hueppe Asia (Malaysia)
Tel : +60 7 5985 730
Fax : +60 7 5985 729

DORMA Korea Inc.
Tel : +82 31 776 0051
Fax : +82 31 776 0054

PT DORMA Far East (Indonesia)
Tel : +62 21 2930 3762
Fax : +62 21 2930 3763

