

S2000 Shower Hinges





## S2000 Shower Hinges

An attractive, value-for-money design for today's modern homes

DORMA S2000 shower hinges are manufactured to exacting standards using quality materials. The solid brass hinges are available in polished and satin chrome finishes. Powder-coated finishes are available upon request.

S2000 hinges are non-handed, spring-loaded, and are available for single and double-action doors.

The mechanism used in S2000 hinges has been proven to give trouble-free service. It also provides the feature of a self-closing door and keeps the door closed tightly against the strike jamb.

All S2000 hinges are designed for doors of maximum width, weight and height of 900mm, 45kg and 2000mm respectively.

### AVAILABLE ACCESSORIES FOR S2000:

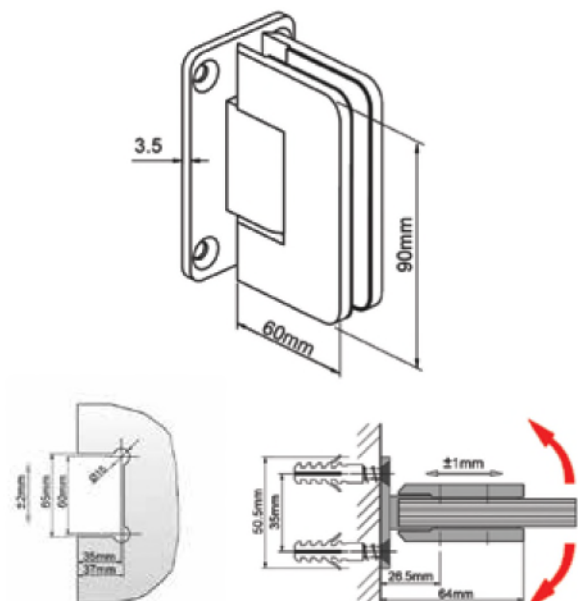
Glass knob • Pull handle / Towel bar • Water-tight seals

### S2000 - 160 Wall-to-Glass Fixing

Art. No.: 9797201605012

Glass/Wall Hinge with double-sided screw plate in polished or satin chrome finish.

**Glass thickness:** 8 or 10mm



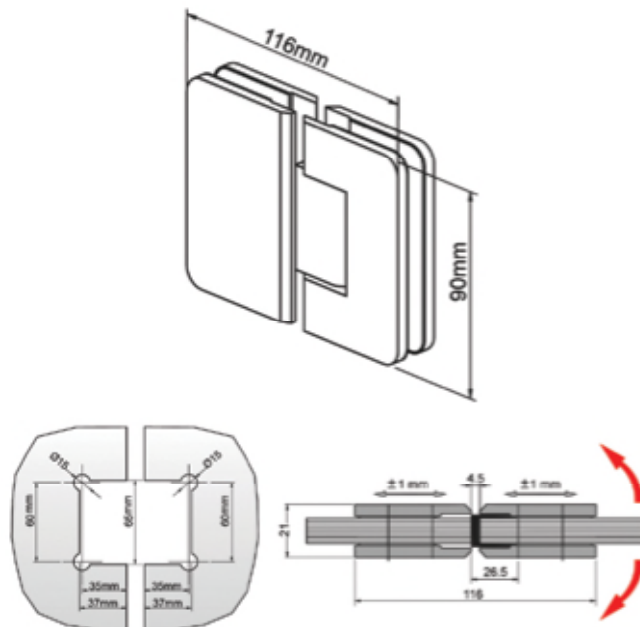


**S2000 - 164 Glass-to-Glass Fixing**

**Art. No.:** 9797201645012

Glass/Glass Hinge 180 degrees in polished or satin chrome finish.

**Glass thickness:** 8 or 10mm



**S2000 - 166 Glass-to-Glass Fixing**

**Art. No.:** 9797201665012

Glass/Glass Hinge 135 degrees in polished or satin chrome finish.

**Glass thickness:** 8 or 10mm

